



SANYO Semiconductors

DATA SHEET

LV5744V — Bi-CMOS LSI 2-channel Step-down Switching Regulator

Overview

The LV5744V is a 2-channel step-down switching regulator.

Features

- Provides dual switching regulator control circuits integrated on the chip.
- Output-stage push-pull structure enabling high efficient operation.
- Provides power supply (V_{CC-5V}) for protecting the external P channel MOS gate.
- Built-in timer latch type SCP (short-circuit protection circuit)
- Built-in UVLO (Low voltage malfunction prevention circuit)
- Built-in reference voltage circuit
- Max_On_Duty is adjustable.

Specifications

Absolute Maximum Ratings at $T_a = 25^\circ\text{C}$

Parameter		Symbol	Conditions	Ratings	Unit
Maximum supply voltage		V_{CC} max		35	V
Output voltage		V_O max		33	V
Allowable power dissipation		P_d max	Mounted on a specified board *	0.74	W
Operating temperature		T_{opr}		-40 to +85	$^\circ\text{C}$
Storage temperature		T_{stg}		-55 to +150	$^\circ\text{C}$
Allowable pin voltage					
1	CT, NON1, NON2, INV1, INV2, FB1, FB2, DT1, DT2, SCP, VREF			7	V
2	V_{CC-5V}			30	V
3	GND, OUT1, OUT2, V_{CC}			35	V

* : Specified board : 114.3×76.1×1.6mm³, glass epoxy board

- Any and all SANYO Semiconductor products described or contained herein do not have specifications that can handle applications that require extremely high levels of reliability, such as life-support systems, aircraft's control systems, or other applications whose failure can be reasonably expected to result in serious physical and/or material damage. Consult with your SANYO Semiconductor representative nearest you before using any SANYO Semiconductor products described or contained herein in such applications.
- SANYO Semiconductor assumes no responsibility for equipment failures that result from using products at values that exceed, even momentarily, rated values (such as maximum ratings, operating condition ranges, or other parameters) listed in products specifications of any and all SANYO Semiconductor products described or contained herein.

SANYO Semiconductor Co., Ltd.

TOKYO OFFICE Tokyo Bldg., 1-10, 1 Chome, Ueno, Taito-ku, TOKYO, 110-8534 JAPAN

LV5744V

Allowable Operating Ratings at Ta = 25°C

Parameter	Symbol	Conditions	Ratings	Unit
Supply voltage	V _{CC}		8 to 33	V
Error amplifier input voltage	V _{IN}		0 to 3.3	V
Timing capacitance	C _{CT}		50 to 5000	pF
Oscillation frequency	F _{CT}		20k to 1M	Hz

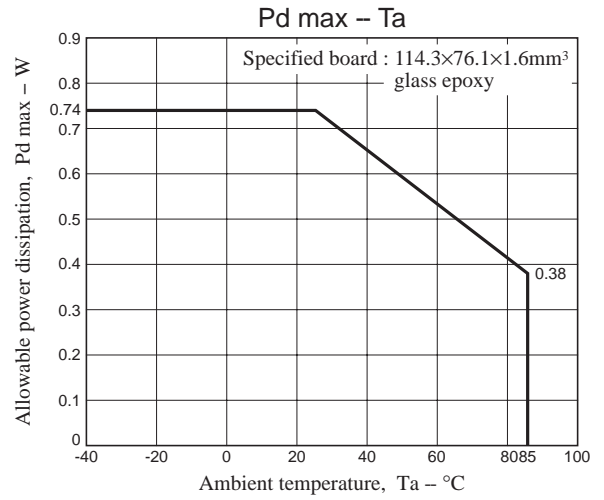
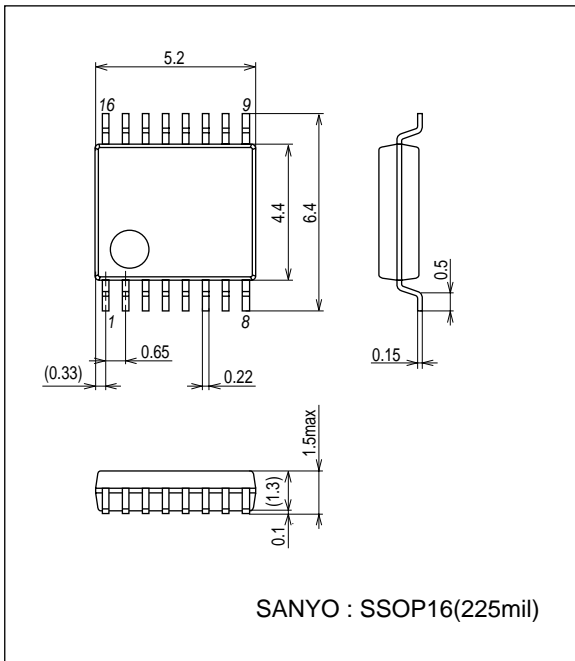
Electrical Characteristics at Ta = 25°C, V_{CC} = 12V

Parameter	Symbol	Conditions	Ratings			Unit
			min	typ	max	
Reference voltage block						
Output voltage	V _{ref}	I _{ref} = 1mA	2.4948	2.520	2.5452	V
Input stability	V _{DLI}	V _{CC} = 8 to 33V		1	10	mV
Load stability	V _{DLO}	I _{ref} = 0 to 5mA		1	10	mV
V _{IN} -5V supply voltage	V _{N5}	I _{OUT} = -5mA	V _{CC} -5.5	V _{CC} -5.0	V _{CC} -4.5	V
Triangular wave oscillator block						
Oscillation frequency	F _{OSC}	C _{CT} = 220pF	320	400	480	kHz
Frequency fluctuation	F _{DV}	V _{CC} = 8 to 33V		1		%
Protection circuit block						
Threshold voltage	V _{IT}		1.5	1.7	1.9	V
Standby voltage	V _{STB}			50	100	mV
Latch voltage	V _{LT}			30	100	mV
Source current	I _{SCP}		1.6	2.1	2.6	μA
Comparator threshold voltage	V _{CT}		1.4	1.5	1.6	V
Quiescent time adjustment circuit block						
Input threshold voltage (fosc = 20kHz)	V _{t0}	Duty cycle = 0%	0.45	0.5	0.55	V
	V _{t100}	Duty cycle = 100%	0.95	1.0	1.05	V
Input bias current	I _{BDT}	DT1, DT2 = 0V		0.1	1	μA
Low voltage malfunction prevention circuit block						
Threshold voltage	V _{UT}		6.5	7	7.5	V
Error amplifier						
Input offset voltage	V _{IO}				6	mV
Input offset current	I _{IO}				30	nA
Input bias current	I _{IB}			15	100	nA
Open gain	A _V			85		dB
Common mode input voltage range	V _{OM}	V _{CC} = 8 to 33V	0		3.3	V
Common mode rejection ratio	CMRR			80		dB
Maximum output voltage	V _{OH}			2.6		V
Minimum output voltage	V _{OL}			0.2	0.4	V
Output sink current	I _{OI}	FB = 1.25V		1		mA
Output source current	I _{OO}	FB = 1.25V		85		μA
PWM comparator						
Input threshold voltage (fosc = 20kHz)	V _{t0}	Duty cycle = 0%	0.45	0.5	0.55	V
	V _{t100}	Duty cycle = 100%	0.95	1.0	1.05	V
Output block						
Output stage on resistance (upper)	R _{ONH}			7		Ω
Output stage on resistance (lower)	R _{ONL}			2		Ω
Overall device characteristics						
Standby current	I _{CCS}	When output is off			10	mA

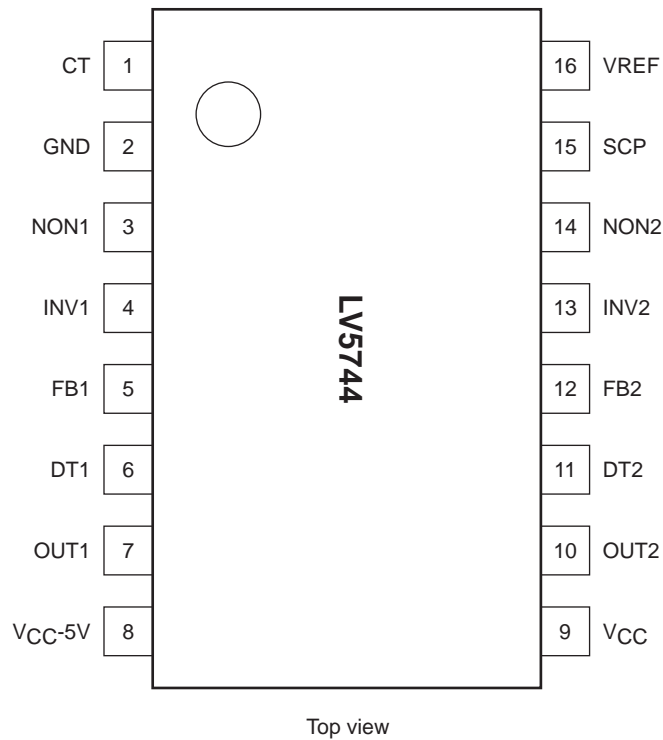
LV5744V

Package Dimensions

unit : mm (typ)
3178B



Pin Assignment

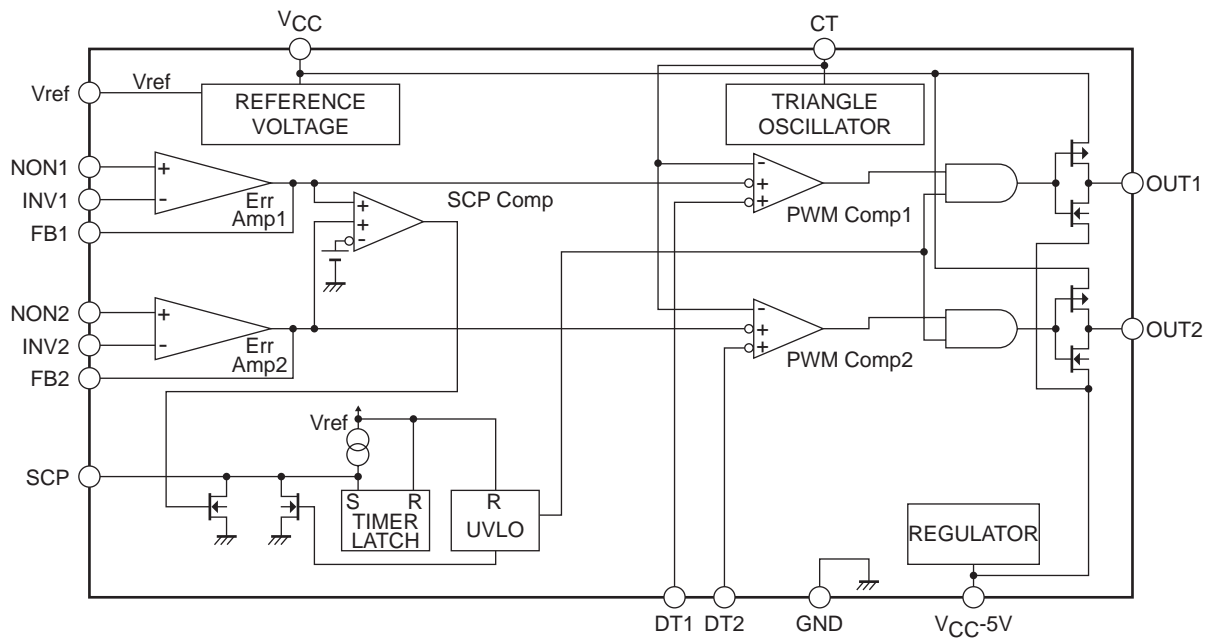


LV5744V

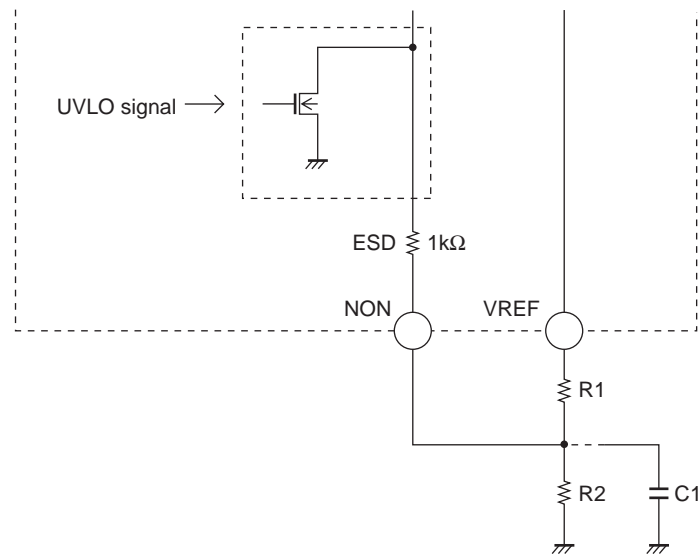
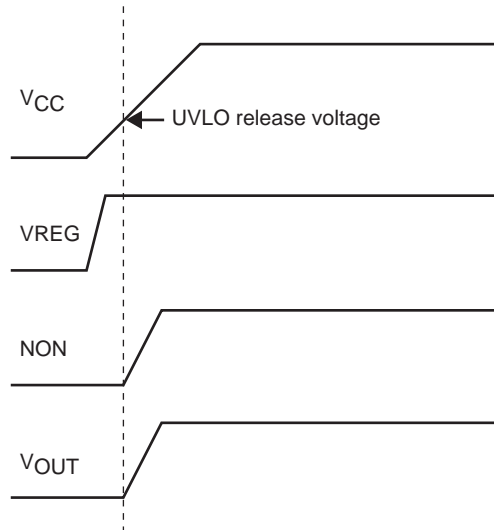
Pin Function

Pin No.	Pin Name	Description
1	CT	External timing capacitor connection pin
2	GND	Ground
3	NON1	Error amplifier 1 input (+)
4	INV1	Error amplifier 1 input (-)
5	FB1	Error amplifier 1 output
6	DT1	Output 1 maximum duty setting
7	OUT1	Output 1
8	V _{CC-5V}	Power supply for output stage drive
9	V _{CC}	Power supply
10	OUT2	Output 2
11	DT2	Output 2 maximum duty setting
12	FB2	Error amplifier 2 input (+)
13	INV2	Error amplifier 2 input (-)
14	NON2	Error amplifier 2 output
15	SCP	Timer latch setting
16	VREF	Reference voltage output

Block Diagram

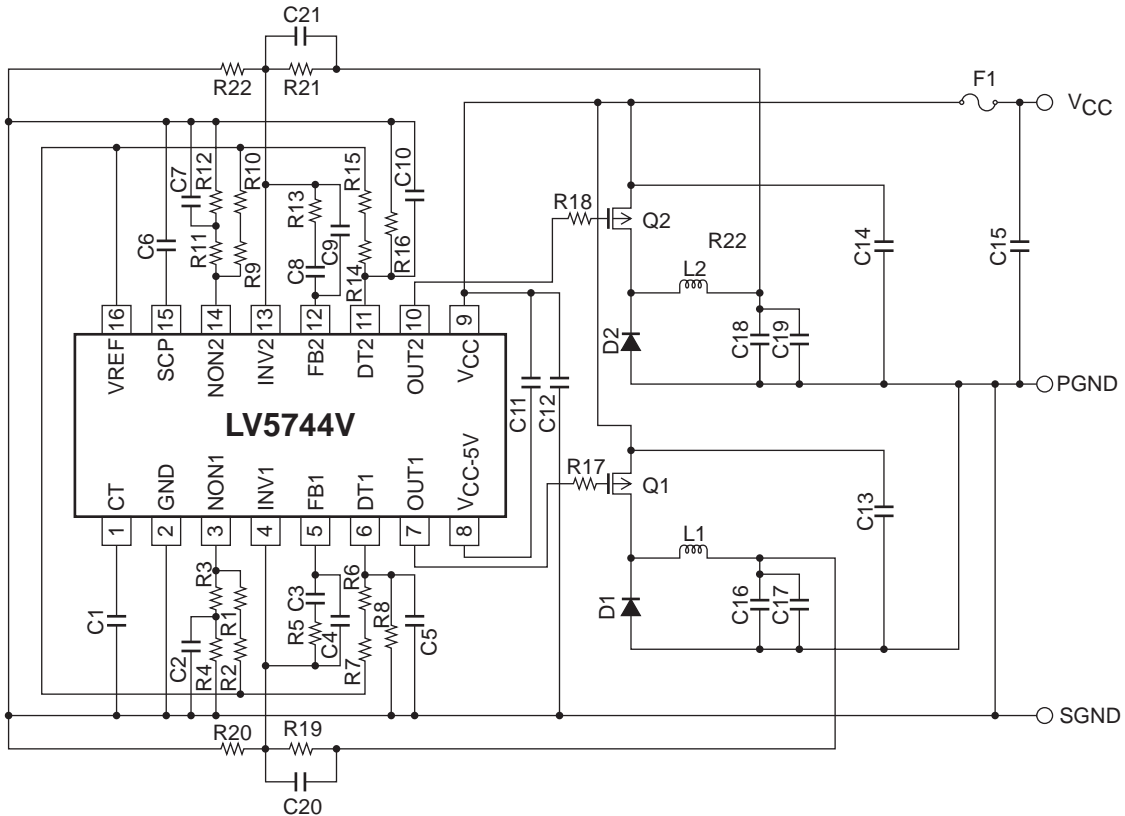


Timing Chart



* The voltage at the NON pin is $\{V_{REF}/(R1+1k)\} \times 1k$ in UVLO mode.

Application Circuit Example



- Specifications of any and all SANYO Semiconductor products described or contained herein stipulate the performance, characteristics, and functions of the described products in the independent state, and are not guarantees of the performance, characteristics, and functions of the described products as mounted in the customer's products or equipment. To verify symptoms and states that cannot be evaluated in an independent device, the customer should always evaluate and test devices mounted in the customer's products or equipment.
- SANYO Semiconductor Co., Ltd. strives to supply high-quality high-reliability products. However, any and all semiconductor products fail with some probability. It is possible that these probabilistic failures could give rise to accidents or events that could endanger human lives, that could give rise to smoke or fire, or that could cause damage to other property. When designing equipment, adopt safety measures so that these kinds of accidents or events cannot occur. Such measures include but are not limited to protective circuits and error prevention circuits for safe design, redundant design, and structural design.
- In the event that any or all SANYO Semiconductor products (including technical data, services) described or contained herein are controlled under any of applicable local export control laws and regulations, such products must not be exported without obtaining the export license from the authorities concerned in accordance with the above law.
- No part of this publication may be reproduced or transmitted in any form or by any means, electronic or mechanical, including photocopying and recording, or any information storage or retrieval system, or otherwise, without the prior written permission of SANYO Semiconductor Co., Ltd.
- Any and all information described or contained herein are subject to change without notice due to product/technology improvement, etc. When designing equipment, refer to the "Delivery Specification" for the SANYO Semiconductor product that you intend to use.
- Information (including circuit diagrams and circuit parameters) herein is for example only; it is not guaranteed for volume production. SANYO Semiconductor believes information herein is accurate and reliable, but no guarantees are made or implied regarding its use or any infringements of intellectual property rights or other rights of third parties.

This catalog provides information as of June, 2008. Specifications and information herein are subject to change without notice.